

PRODUCT TECHNICAL SHEET

Collection : **CONTEMPORARY**

Ref. : **8020.11.32**

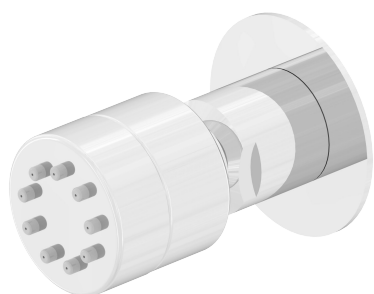
Douchette latérale orientable

Draaibare zijdouche

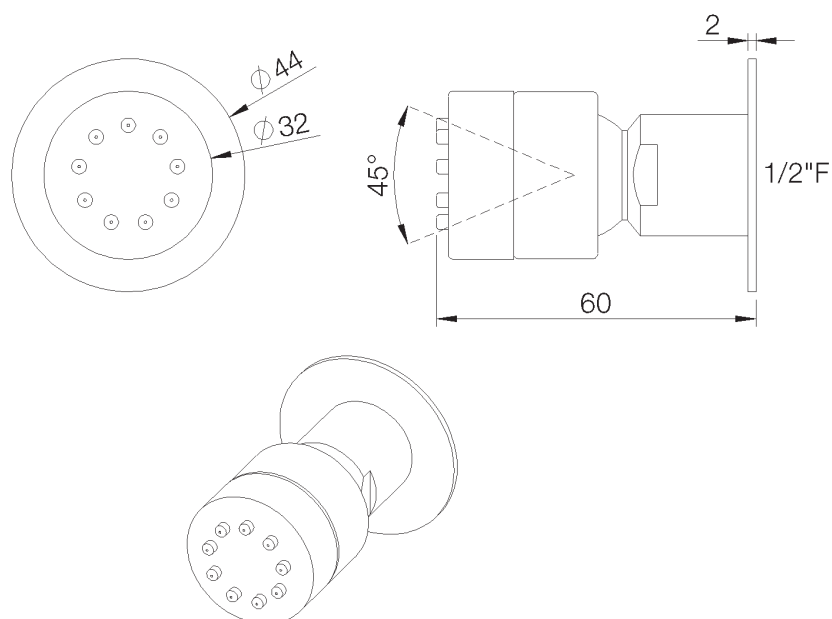
Adjustable side shower

Picture

Product details



Technical drawing



RA0.V01